



## Main features



### Printing type



Barcode



Logos



Alphanumeric text

### Maximum height



0-15 mm



16-100 mm



Above 100 mm

### Printing surfaces



Primary packaging



Secondary packaging



Raw material

- Ergonomic industrial stainless steel IP65 cabinet protected against water jets, vapor and dust.
- Up to 5 lines with characters height from 0,8 to 14 mm with micro print nozzle for high resolution print.
- Real-time production calculation and download on USB key of production report.
- Interconnected: module "Serial Interpreter" decodes and converts the information coming from external devices as ERP, PLC, balance, scanner, labelling systems.
- Total remote control and monitoring of the printer.

# Z5700

## TECHNICAL SPECIFICATION



### PRINTING CHARACTERISTICS

- Up to 5 lines of print
- Characters height from 0,8 to 14 mm (0,032" – 0,56")
- Line speed capability: up to 400 mt/min (1320 ft/min)
- Print rate: up to 2136 ct/sec
- Messages and logos storage: up to 4 GB with expandable micro SD memory
- Up to 6800 stroke per message
- Fixed and variable text field types (with operator, automatic or external)
- Text field placing is freely selectable
- Available fonts: 5x4, 5x5, 7x4, 7x5, 9x7, 10x8, 16x10, 24x16, 32x18 and Windows True Type
- Space between characters is freely selectable
- Print intensity is freely selectable
- Rapid images, shapes and lines creation from touch-screen display
- Automatic date, time, offsets and expiry date multifunction
- Incrementing/decreasing alphanumeric product counters up to 9 digits
- Metric repeat print – message function
- Customizable message repeat with single print start
- Field orientation: 0°, 90°, 180°, 270°
- Tower print function (Text rotation of 90°)
- Coding throw distance up to 90 mm - 3,54" (single line from minimum 3 mm - 0,118")

### BAR CODES

- 2/5 Industrial, UPC-A, CODE 39, EAN 13, CODE 128 (A,B,C), EAN 128 (A,B,C), 2D - Datamatrix, ITF (A,B,C), QR Code

### CONTROL UNIT CHARACTERISTICS

- 10,1" TFT full color anti-reflection high contrast LED touch-screen
- Stainless steel structure AISI 304
- IP65 rating (plant air required)
- Conduit length: 2 mt – 6,56 ft (4 mt – 13,1 ft optional)

### GENERAL FEATURES

- Exclusive customizable user interface for single operator (functionality, language and alphabets)
- Intuitive user interface with graphic icons
- Innovative graphic editor with stretch and drag & drop functions with smartphone technology
- User interface and virtual keyboard with foreign languages and alphabets
- Automatic flushing with solvent recycling in both start up and shut down
- Low consumption thanks to the enhanced recycling system
- Message storage with file name
- Print parameters storage in the messages

- Check message dimension
- Multi-level access with login
- Report function for executed printing counter
- On line help and user manual with contextual photos and videos

### PRINTHEAD

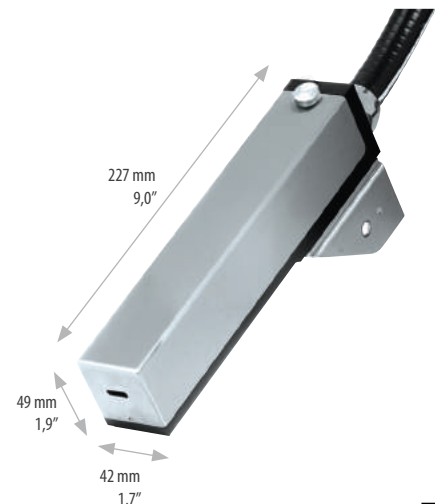
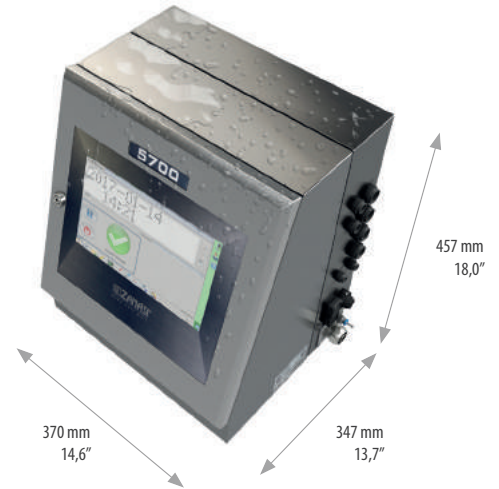
- Stainless steel and aluminium structure hermetically sealed
- Micro Print Nozzle for high quality resolution print (optional)
- Auto-phasing of ink stream for consistent print quality
- Microjet nozzle cleaning function
- Wide range of standard, pigmented, food, BIOdegradable and MEK-free inks
- Conduit inlet at 90° (optional)
- Internal Supply Positive Air Function
- 90° model for reduced/short spaces (optional)

### EXTERNAL CONNECTIONS

- Serial connection RS232 and RS485/422
- Ethernet interface for LAN 10/100 connection
- USB port version 2.0
- Sensor management for product reading
- System ready output
- Shaft Encoder input for variable speed production lines
- External alarm outputs with traffic light column
- Parallel interface BCD, 6 bit
- Scanner connection for printed bar code validation or index message selection
- Dry air kit (plant air required)

### ENVIRONMENT/ELECTRICAL REQUIREMENTS

- Temperature: from 5° to 45° C (40° - 113°F)
- Humidity: 10 - 90% (non-condensing)
- Single Phase, 85 - 240 Vac, 50 - 60 Hz, 100 VA



Use a QR code reader to see the product page

Z5700 v01- 01/17

Zanasi S.r.l.  
Via Marche, 10  
41049 Sassuolo (MO) Italy  
Tel. +39 0536 999711  
Fax +39 0536 999765  
www.zanasi.it - info@zanasi.it

Zanasi USA  
www.zanasiusa.com

Zanasi China  
www.zanasicchina.com

**ZANASI**<sup>®</sup>  
make your mark  
www.zanasi.it